

# Genuine Metaris Telescopic Cylinders

Reliable, Smooth Operating and Totally Interchangeable



## 3, 4 and 5 Stage Single Acting Telescopic Cylinders

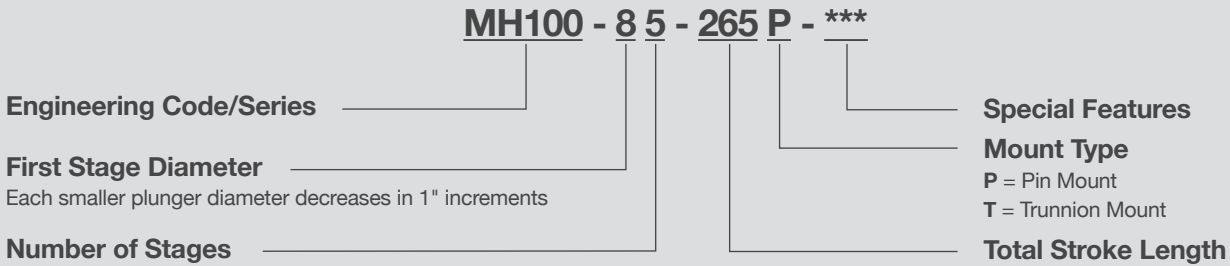
Genuine Metaris MH series pin mount and trunnion mount telescopic cylinders are engineered for rugged reliable operation. With major design improvements over other competitors' cylinders like a bleederless design (on our pin mount cylinders), a low friction dual lip rod seal and having all stages chrome plated and roller burnished for smoother operation, increased scratch and impact resistance, rust/corrosion and fretting resistance and greater stability. Our special low friction dual lip rod seal also has many benefits including reduced running friction for smoother and faster operation, no mis-staging, no seal adjustments are necessary, no compression set like standard V-packing, longer seal life than V-packing and a better operating temperature range. Our MH series single acting telescopic cylinders are fit, form and function interchangeable with other manufacturers such as: Hyco®, Parker® and Custom Hoist®.

- Single acting—pin mount & trunnion mount options
- Constructed from heat treated 1026 steel tubing
- Bleeder-less design (pin mount only)
- Re-designed piston assembly reduces air pocket
- All cylinder stages are chrome plated & roller burnished
- Dual retaining rings & dual nylon bearings
- Low friction dual lip rod seal
- Longer seal life than V-packing
- Crossovers available for Hyco®, Parker® and Custom Hoist®



# It's All in the Details

## MODEL CODE BREAKDOWN

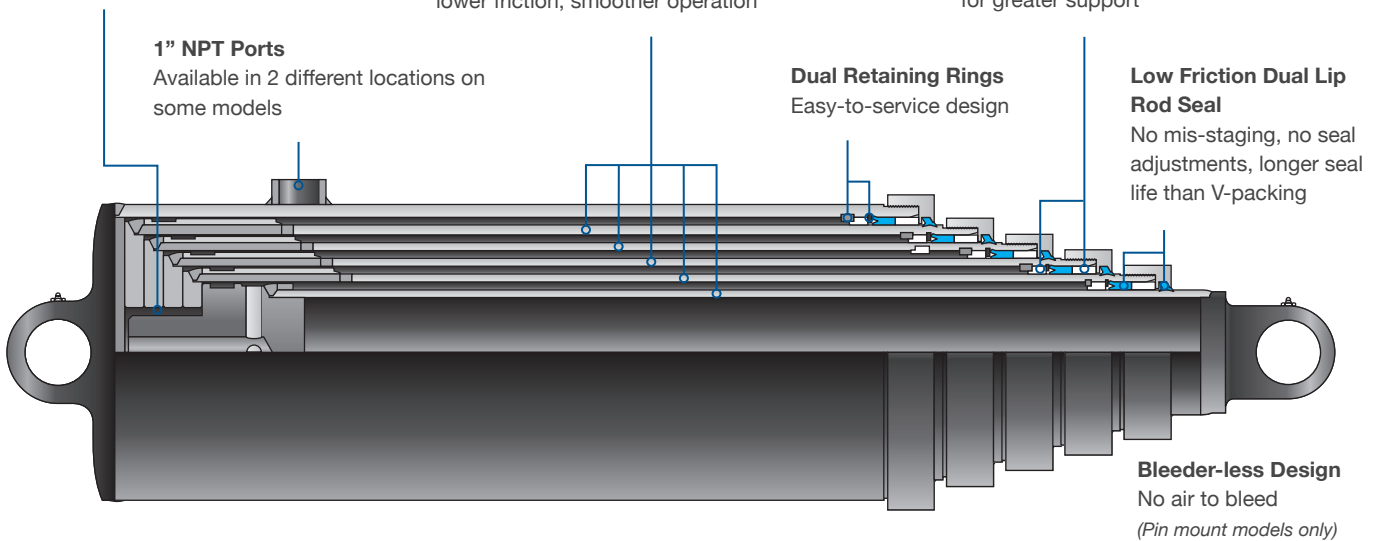


## SPECS & BENEFITS

**Redesigned Piston Assembly**  
Reduces air pocket at base of cylinder

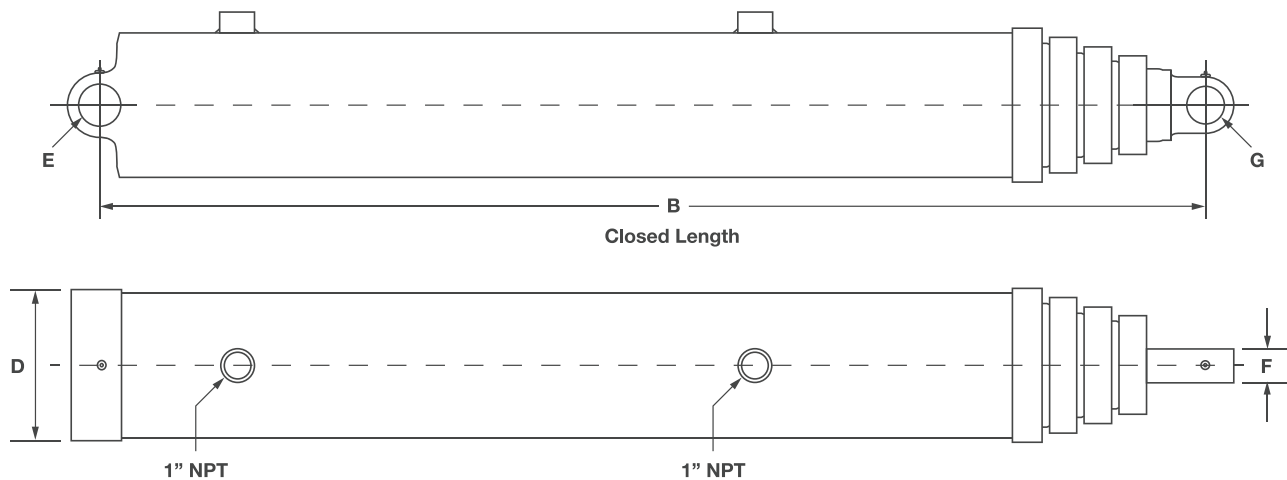
**All Stages are Chrome Plated**  
Increases impact & scratch resistance, strength;  
lower friction, smoother operation

**Dual Nylon Bearings**  
More bearing surface area  
for greater support



	GENUINE METARIS	PARKER®	CUSTOM HOIST®	MUNCIE®	HYCO®
<b>Bleeder-less Design</b> <small>(not available in trunnion models)</small>	✓	✓	✓	✓	-
<b>Low Friction Dual Lip Rod Seal</b>	✓	V-packing	V-packing	✓	✓
<b>Dual nylon Bearings</b>	✓	-	✓	✓	✓
<b>Dual Retaining Rings</b>	✓	-	Single retaining ring	-	✓
<b>Chrome Plated Stages (All)</b>	✓	-	-	-	-

# Pin Mount Options

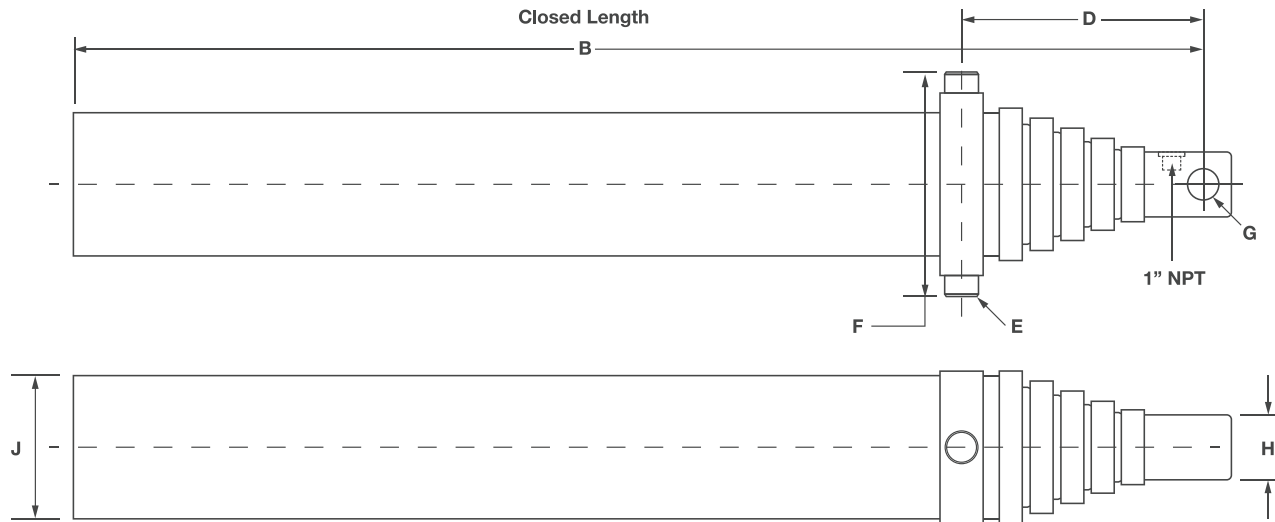


## DIMENSIONS

		A	B	C	D	E	F	G	
Metaris #	Model Code	Total Stroke Length	Closed Length	Extended Length	Width of Base Eye	Diam. of Base Pin Eye	Width of Top Pin Eye	Diam. of Top Pin Eye	Weight (lbs)
NW188395	MH100-53-84P	84	39 1/2	122 1/2	7	Fits a 2" Pin	2	Fits a 2" Pin	178
NW175402	MH100-53-126P	126	54 1/2	180 1/2	7	Fits a 2" Pin	2	Fits a 1 3/4" Pin	215
NW175397	MH100-63-108P	108	49 1/2	157 1/2	7 1/4	Fits a 2" Pin	2	Fits a 2" Pin	272
NW175398	MH100-63-120P	120	53 1/2	174 1/2	7 1/4	Fits a 2" Pin	2	Fits a 2" Pin	265
NW175399	MH100-63-126P	126	55 1/2	181 1/2	7 1/4	Fits a 2" Pin	2	Fits a 2" Pin	280
NW175400	MH100-63-132P	132	57 1/2	189 1/2	7 1/4	Fits a 2" Pin	2	Fits a 2" Pin	310
NW175401	MH100-63-140P	140	60	200	7 1/4	Fits a 2" Pin	2	Fits a 2" Pin	325
NW194642	MH100-73-120P	120	53 1/8	173 1/8	8 5/8	Fits a 2" Pin	2	Fits a 2" Pin	383
NW194643	MH100-73-124P	124	54 13/16	179 11/16	8 5/8	Fits a 2" Pin	2	Fits a 2" Pin	397
NW188244	MH100-64-135P-175	135	48 1/4	183	8	Fits a 1 3/4" Pin	2 3/4	Fits a 1 1/2" Pin	275
NW188245	MH100-64-156P-175	156	53 1/4	209 1/4	7 1/8	Fits a 1 3/4" Pin	2 3/4	Fits a 1 1/2" Pin	301
NW175396	MH100-64-156P	156	53 1/2	209 1/2	7 1/8	Fits a 2" Pin	2	Fits a 2" Pin	295
NW204030	MH100-64-168P	168	56 1/2	224 1/2	7 1/8	Fits a 2" Pin	2	Fits a 2" Pin	315
NW175394	MH100-74-135P	135	48 1/2	182 1/2	8 5/8	Fits a 2" Pin	2	Fits a 2" Pin	340
NW175395	MH100-74-156P	156	53 1/2	209 1/2	8 5/8	Fits a 2" Pin	2	Fits a 2" Pin	370
NW221735	MH100-74-161P	161	54 3/4	215 3/4	8 5/8	Fits a 2" Pin	2	Fits a 2" Pin	385
NW221736	MH100-74-167P	167	56 1/4	223 3/4	8 5/8	Fits a 2" Pin	2	Fits a 2" Pin	400
NW195410	MH100-74-180P	180	59 1/2	239 1/4	8 5/8	Fits a 2" Pin	2	Fits a 2" Pin	448
NW175389	MH100-85-190P	190	54	244	9 1/2	Fits a 2" Pin	2	Fits a 2" Pin	520
NW175390	MH100-85-220P	220	60	280	9 1/2	Fits a 2" Pin	2	Fits a 2" Pin	595
NW175391	MH100-85-235P	235	65	300	9 1/2	Fits a 2" Pin	2	Fits a 2" Pin	632
NW175392	MH100-85-250P	250	68	318	9 1/2	Fits a 2" Pin	2	Fits a 2" Pin	690
NW175393	MH100-85-265P	265	71	336	9 1/2	Fits a 2" Pin	2	Fits a 2" Pin	710

Sizes/Measurements are in inches rounded to nearest fraction - All cylinders are Single Acting and have a MAX Working Pressure of 2000psi

# Trunnion Mount Options



## DIMENSIONS

Metaris #	Model Code	A Total Stroke Length	B Closed Length	C Extended Length	D Eye/Trun. Length	E Trun. Lug Diam.	F Trun. Width	G Diam. of Top Pin Eye	H Width of Top Pin Eye	J Diam. of Base	Weight (lbs)
NW188240	MH100-63-140T	140	60 1/2	200 1/2	14 1/2	1 3/4	12 1/2	Fits a 1 1/2" Pin	3.9	7	330
NW188241	MH100-85-235T	235	65 1/2	300 1/2	15 1/2	2 1/4	14	Fits a 2" Pin	3	9 1/2	695
NW188242	MH100-85-250T	250	68 1/2	318 1/2	15 1/2	2 1/4	14	Fits a 2" Pin	3	9 1/2	728
NW188243	MH100-85-265T	265	71 1/2	336 1/2	15 1/2	2 1/4	14	Fits a 2" Pin	3	9 1/2	757
NW221741	MH100-85-280T	280	77 1/2	357 1/2	15 1/2	2 1/4	14	Fits a 2" Pin	3	9 1/2	-

Sizes/Measurements are in inches rounded to nearest fraction - All cylinders are Single Acting and have a MAX Working Pressure of 2000psi

# Cross Reference List

Our MH series single acting telescopic cylinders are available in 3, 4 and 5 stage configurations and are fit, form and function interchangeable with other manufacturers such as: Hyco®, Parker® and Custom Hoist®.

Below are cross reference numbers to cross over a Genuine Metaris MH series cylinder to a Hyco®, Parker® or Custom Hoist®.



METARIS	HYCO	PARKER	CUSTOM HOIST
MH100-53-84P*	70057-53-84*	S53DC-66-84*	53-4592-84
MH100-53-126P	70850-53-126E	S53DC-65-126	53-4531-130
MH100-63-108P	70347-63-108DE	S63DC-97-111	63-4402-108
MH100-63-120P	70347-63-120DE	S63DC-101-120	63-4402-120
MH100-63-126P	70347-63-126DE	S63DC-101-126	63-4402-126
MH100-63-132P	70347-63-132DE	-	63-4402-132
MH100-63-140P	70347-63-140E	S63DC-101-140	63-4402-140
MH100-73-120P	70195-73-120DE	S73DC-74-120	-
MH100-73-124P	70195-73-124DE	S73DC-66-124	-
MH100-64-135P-175	70470-64-132	S64DB-12-135	64-4435-135
MH100-64-156P-175	70854-64-156	S64DB-12-156	64-4435-156
MH100-64-156P	70347-64-156DE	S64DC-14-156	64-4467-156
MH100-64-168P	70894-64-168E	-	-
MH100-74-135P	70387-74-135DE	S74DC-74-135	74-4401-135
MH100-74-156P	70195-74-156DE	S74DC-74-156	74-4401-156
MH100-74-161P	70195-74-161DE	S74DC-74-161	74-4401-161
MH100-74-167P	70195-74-167DE	S74DC-74-167	74-4401-167
MH100-74-180P	71010-74-180D	S74DC-66-180	74-4401-180
MH100-85-190P	70000-815-180D	S85DC-66-190	85-4402-190
MH100-85-220P	70000-815-210D	S85DC-66-220	85-4402-220
MH100-85-235P	70000-815-235D	S85DC-66-235	85-4402-235
MH100-85-250P	70000-815-250D	S85DC-66-250	85-4402-250
MH100-85-265P	70000-815-265D	S85DC-66-265	85-4402-265
MH100-63-140T	70050-63-140T	S63MC-8-140	63-4582-140
MH100-85-235T	70060-815-235T	S85MC-48-235	85-4499-235
MH100-85-250T	70060-815-250T	S85MC-48-250	85-4499-250
MH100-85-265T	70060-815-265T	S85MC-48-265	85-4499-265
MH100-85-280T	70060-815-280T	S85MC-48-280	85-4499-280



\* Requires modification to the mounting eye. Please contact us on this model before ordering.

# Hydraulex - A Recognized Global Leading Provider of High Quality Hydraulic Components



## Products We Offer

- Inline Piston Pumps
- Radial Piston Pumps & Motors
- Bent Axis Piston Pumps & Motors
- Fixed Volume Vane Pumps
- Variable Volume Vane Pumps
- Gear Pumps
- Vane Motors
- Axial Piston Motors
- High Speed Motors
- Servo Motors
- Orbital Motors
- Directional Valves
- Flow Control Valves
- Pressure Control Valves
- Relief Valves
- Check Valves
- Stack Valves
- Servo Valves
- Proportional Valves
- PTOs (Power Take-offs)
- Cylinders

Hydraulex Corporate  
48175 Gratiot Ave  
Chesterfield, MI 48051  
Toll Free: 800.422.4279  
Tel: 586.949.4240

[www.hydraulex.com](http://www.hydraulex.com)

Hydraulex Detroit  
Hydraulex Jackson  
Hydraulex Seattle  
Hydraulex Memphis

Tel: 586.949.4240  
Tel: 800.962.2703  
Tel: 253.604.0400  
Tel: 901.794.2462

[sales@hydraulex.com](mailto:sales@hydraulex.com)  
[sales@metarisusa.com](mailto:sales@metarisusa.com)  
[hrrdsales@hydraulex.com](mailto:hrrdsales@hydraulex.com)  
[fhisales@hydraulex.com](mailto:fhisales@hydraulex.com)



Connect with us:



All manufacturers names, symbols and descriptions in this document are used for reference purposes only, and it is not implied that any parts listed is the product of these manufacturers.